

How to Get Sky Q with OFNL

The Next Generation Box

The Sky Q experience

- ✓ Pause, rewind or restart live TV
- ✓ Use Series Link to record a whole series
- ✓ Watch your favourite shows around the home
- ✓ Over 500 hours of recording space to save your favourite shows

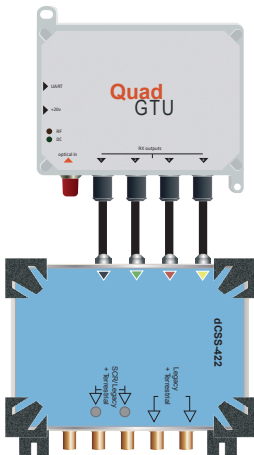


Getting Sky Q

If you live on a site where a communal satellite dish has been fitted, a Gateway Terminal Unit (GTU) will have been installed in your home. This enables you to get Sky or terrestrial Freeview services via a set top box.

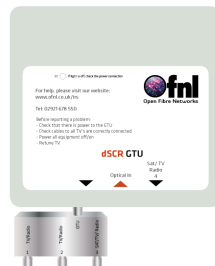
What you need to do if you want to get Sky Q

If you have a Quad GTU



If you have a Quad GTU, the engineer will need to connect a DCSS switch to it, to allow you to receive Sky Q services.

If you have a dSCR GTU



You will not need a DCSS switch to receive Sky Q services - the engineer will connect your GTU to your Sky Q set top box.

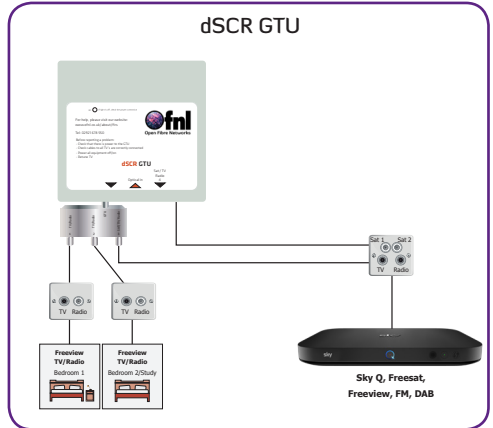
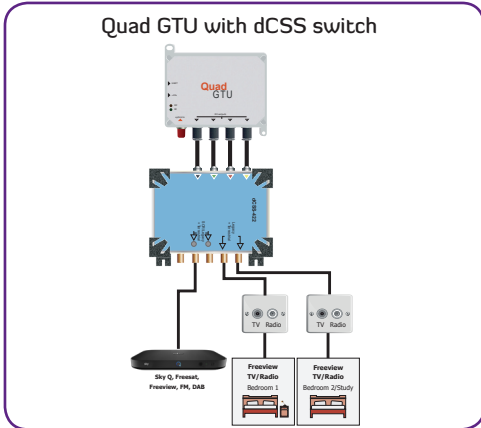
When you sign up for services with Sky, please remind Sky that you are on a communal site.

Sky Q Multi room setup

Sky Q provides the ability to watch TV in different rooms via multiple set top boxes. Only the main box needs to be connected to either the dCSS switch or the dSCR GTU.

Watching Freeview

Connect a standard Digital TV to your GTU and watch free to air content.



To watch Digital TV on more than two TV's, you may require a distribution amplifier. **OFNL don't supply these. Contact your local aerial/TV supplier to purchase one.**

Plug the 'Distribution Amplifier' into the spare port of the 'dCSS switch' or dSCR. Use additional cables and plug these into the faceplate in each room.

